



SHOCKLESS HOLD AND DEPLOYMENT MECHANISM

HIGH-PERFORMANCE MECHANISM FOR SPACE APPLICATIONS

TRL 7

- ✔ **Resettable** | ✔ **Progressive deployment** | ✔ **Plug & play**
- ✔ **Shock mitigation** | ✔ **Reliable** | ✔ **Non explosive**



info@nimesis.com

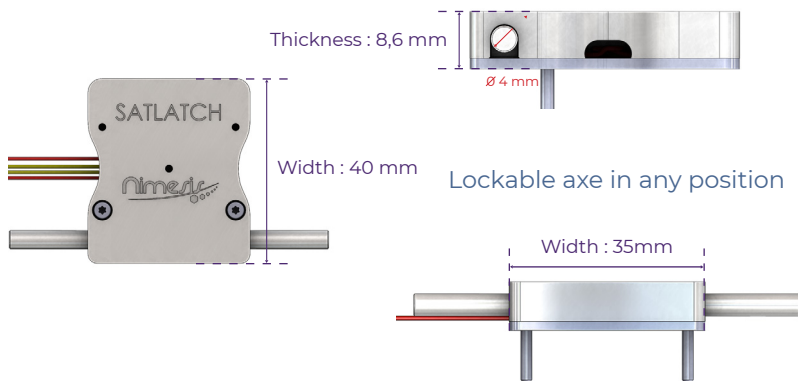


Nimesis-Technology



www.nimesis.com

SATLATCH provides an all-in-one solution for the holding and deployment of space structures or payloads



Automatic relocking after activation and deployment

Possibility of using 2 per hinge to double torque performance

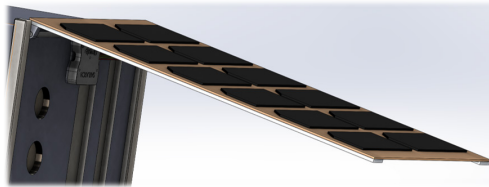
OVERVIEW

- Compatible with a wide range of satellites and space systems
- Shockless deployment
- No variation of size between armed and actuated position
- Operational temperature range: from -120°C to +120°C
- Auto-resettable w/o MGSE
- Progressive deployment

FEATURES

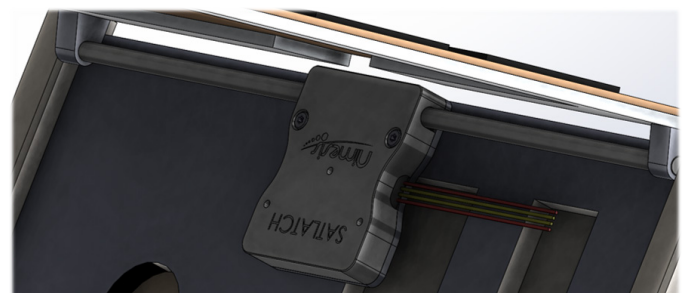
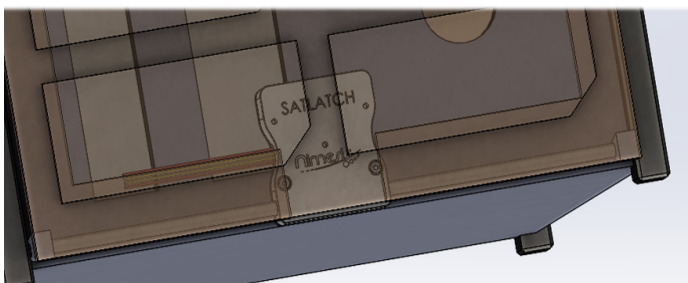
- SMA component (Shape Memory Alloy: CuAlNi)
- Diameter of shaft : 4mm
- Max length of shaft : 300mm
- Rotation: 90° and 180°
Other rotation on demand

TECHNICAL DATA



SATLATCH can be mounted on the outside of the satellite (perfectly suited for cubesats)

	>0.3 N.m	
Deployment / locking torque (N.m)	40 to 65g	
Mass of all the mechanism (g)	Up to 10 cycles	
Resettable In Situ	[-120°C ; +120°C]	
Operational temperature range	From 4s to 100s	
Liberation time	8V	16V
Voltage (V)	7 to 8.4V	14 to 16.8V
Voltage range (V)	0,8 to 1,4 A	0.4 to 0.7 A
Current (A)	min 5.96W max 16.5W	
Power (W)		



Test report on demand

